

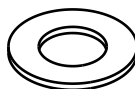
### ***PART LIST***

Quantity

1. Instruction

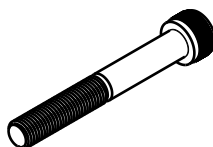
1

2. Washer



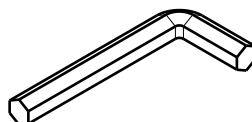
6

2. Allen Bolt



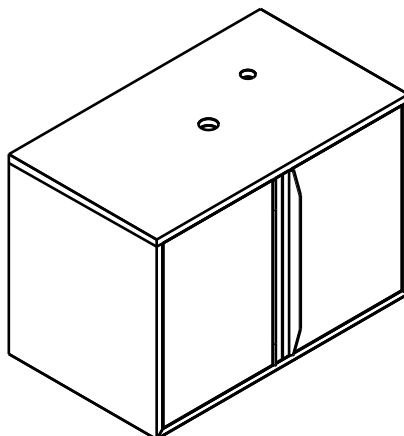
6

3. Allen Key



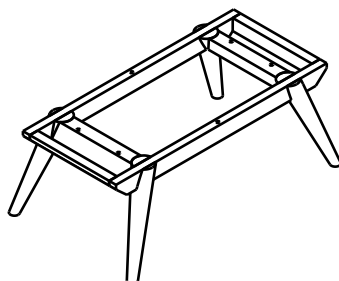
1

4. Body



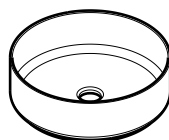
1

5. Leg



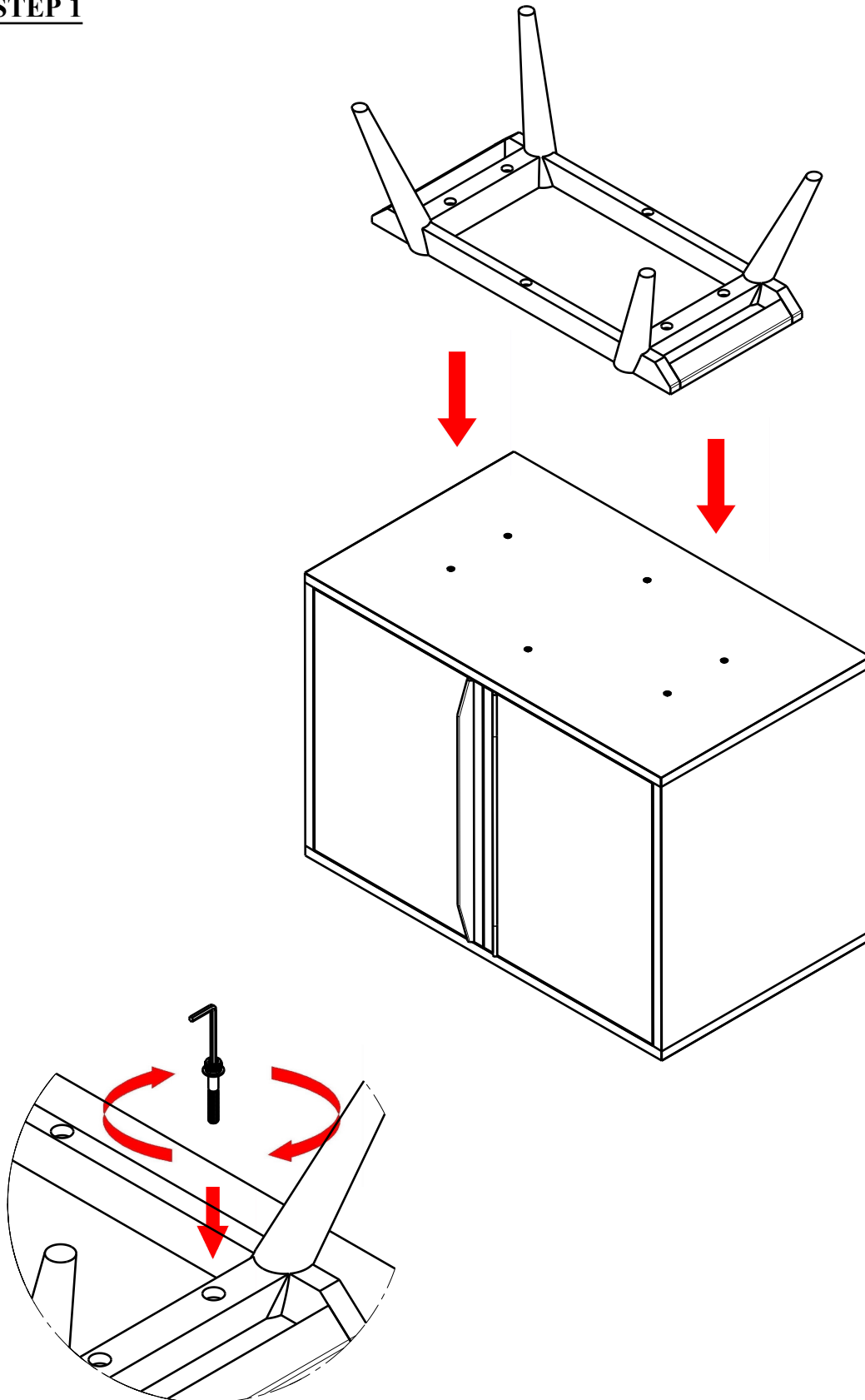
1

6. Wastafel

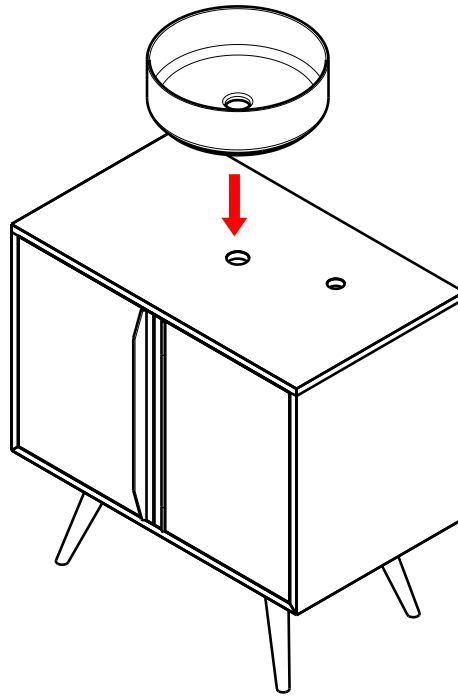


1

### STEP 1



### STEP.2



### FINISH

