

Plumbing Installation Instructions

Installation instructions for Oxford Vanity Basin Set (Jumper Valve Type)

Get you start!!!

Our warranty covers any manufacturing defects. Installation of plumbing products must be carried out by qualified personnel. Any damage to our product caused by misuse, incorrect installation or installation by unqualified personnel is not covered by our warranty. All clips provided must be properly installed. Any installation with line pressures above 150psi (10.35bar) require regulation. Manufacturers cannot be held responsible for damage caused by high pressure systems. Ceramic disc installations work best with pressures between 30 psi (2.07bar) and 150psi (10.35bar). Ceramic Disc do not work well on low pressure or gravity fed systems.

Before installation of your **Humfrey & Schutz™ Oxford series Vanity Basin Set**, flush both the hot and cold lines to make sure that there are no sediments or construction related impurities remaining.

Remove all components from the carton and place on a protected or soft surface. It is recommended that you also place a protective cloth on the inside of any porcelain hand basin during installation.

- Open the valves to at least half way.
- Undo the top buttons and remove the handles from the spindles.
- Unscrew the **Bell Flange (Housing)** from the stuffing box assemblies.

You can...

Take the **T Piece Breech** plus the **Hot** and **Cold Bodies** and join them all together.

- For porcelain or pre-drilled basins, match and align all three pieces against the three holes provided. Shorten the **Tee Piece** if required.
- For un-drilled basins, under counter basins or solid tops (max 20mm), drill three holes 100mm apart; the two outer holes at 35mm diameter and the centre hole at 25mm (30mm max) diameter.

Something is to...

Install the spout in the centre hole, securing the washer provided between the underside and the lock nut also provided.

Something....

Remove the top **Lock Nut** and one **Washer** from each **Body** and screw down the **lower Lock Nuts** to at least half way (all the way for greater wall thicknesses), leaving one plastic washer in place.

Push up the **Body & Tee Piece** assembly through the basin or bench top from below, making sure that you engage the **Tee Piece Ferrule** to the **Spout Nipple**.

Attach both the hot and cold 1/2" copper inflow pipes using **Compression Olives** and **Nuts** provided. (Discard both items if flexible hoses are used.)

8. Relocate the **Top Lock Nut** and screw down two revolutions (5 to 7 mm)

9. Re-adjust the **Lower Lock Nut** back upwards as tight as you can by hand and firm up by re-tightening the **Top Lock Nut**.

Now to finish off..

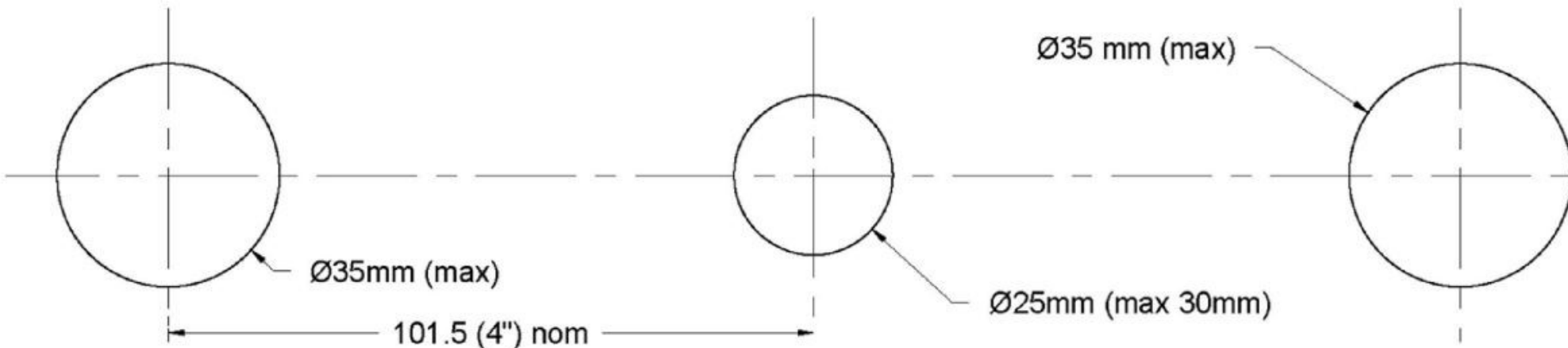
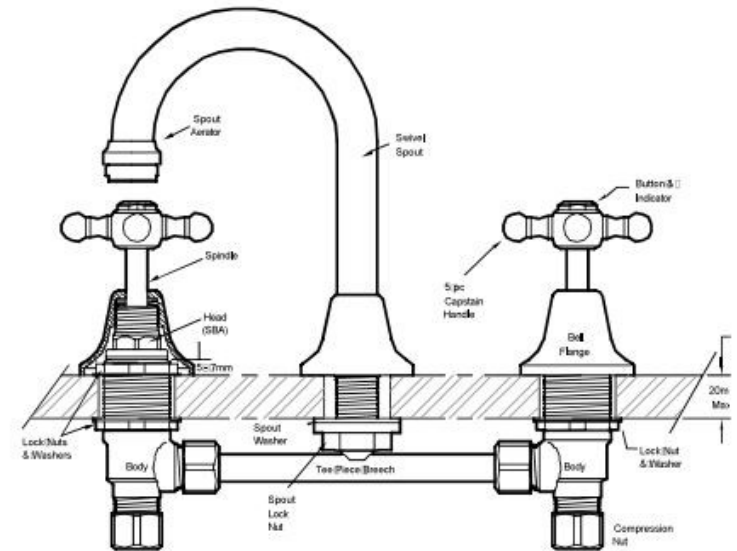
10. Replace the two **Bell Housings (Flanges)** and hand tighten

11. Replace the two **Handles** and close the valves.

12. Replace the two **Buttons** and firm with a spanner or adjustable wrench.

Last of all..

Flush the lines and valves again to remove air locks and to prevent debris from lodging beneath the jumper valve.



Note: Illustrations, photographs and specifications are not binding in detail. Items may vary in size - check all measurements on site before installation. Plumbing and electrical products must only be installed by a registered contractor.